

Power diodes overload tester TB2

Tester specifications

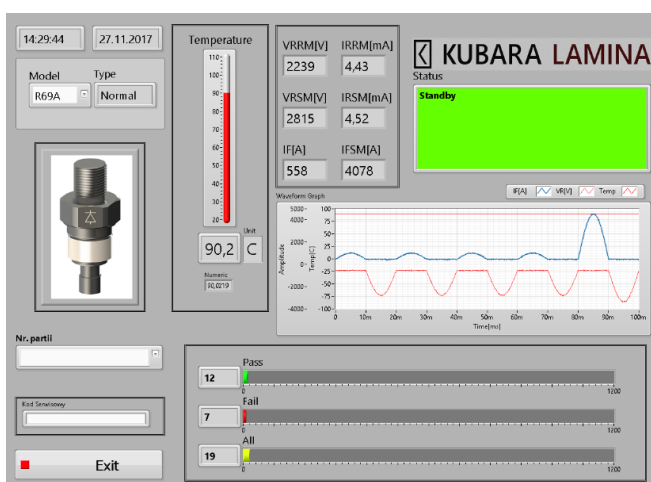
Type	TB2
supply voltage	2x400VAC; 50/60Hz
phase current consumption	12,5A continuous
current, (40A/10ms)	
short time power consumption	5kVA, (16kVA/10ms)
water cooling	5 ÷ 20 l/min
pressure	6 atm.
temperature operating	15°C - 40°C
relative humidity (operating)	10% - 90%
operating system	Windows 10 64bit
socket diodes	integrated
dimensions (LxWxH)	1210x1300x2150mm
weight	400kg

Parameters of a test current and voltage

waveform shape	sinus
set up current (heating) V_{F1}	100-600A peak (40 ÷ 90
sec.)	
set up current (overload) V_{F2}	4000A peak (10ms)
set up voltage V_{R1}	100-5000V peak (40 ÷ 90
sec.)	
set up voltage V_{R2}	100-5000V peak (10ms)
measured reverse current I_{RRM}	1 ÷ 170mA
Continuous temperature measurement of the diode	10°C ÷ 110°C
diode temperature at overload current	90°C

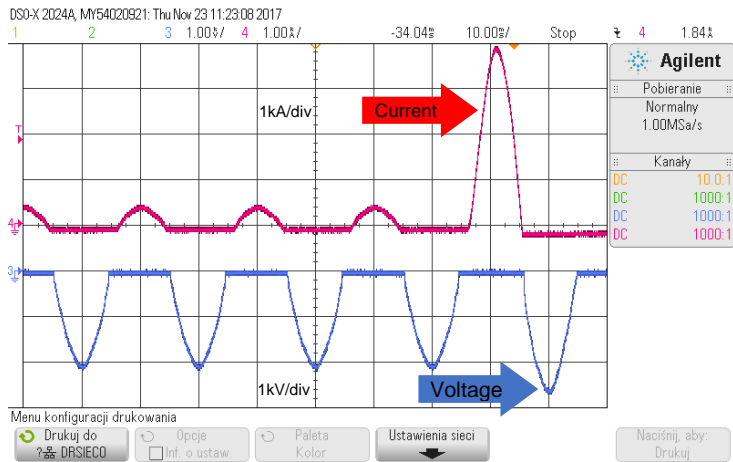
Equipment tester

- The tester is equipped with a PC and monitor Can work with another computer, an external database and barcode reader. Light Tower operating status tester.

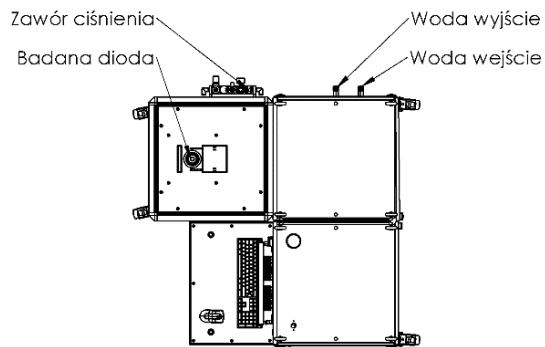
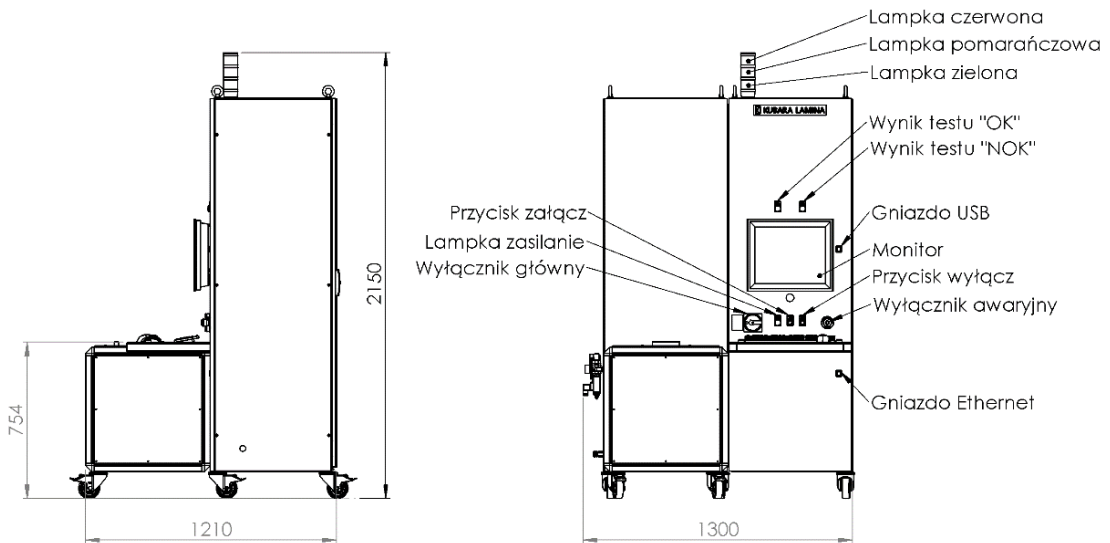


Computer screen

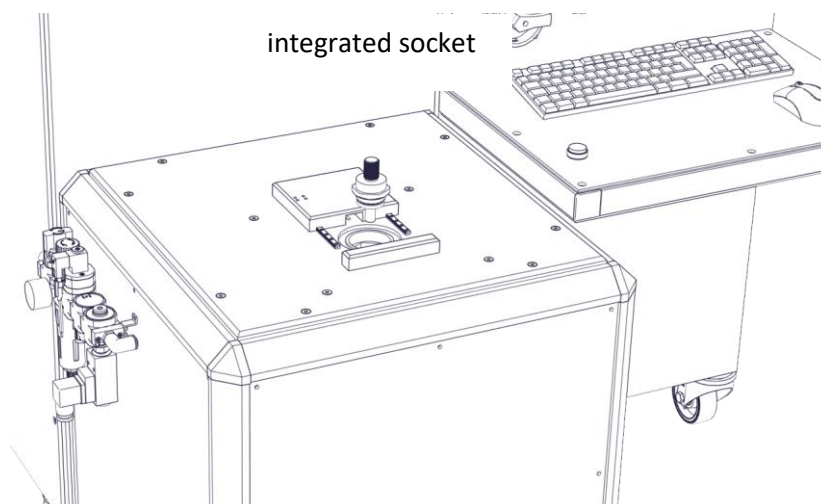




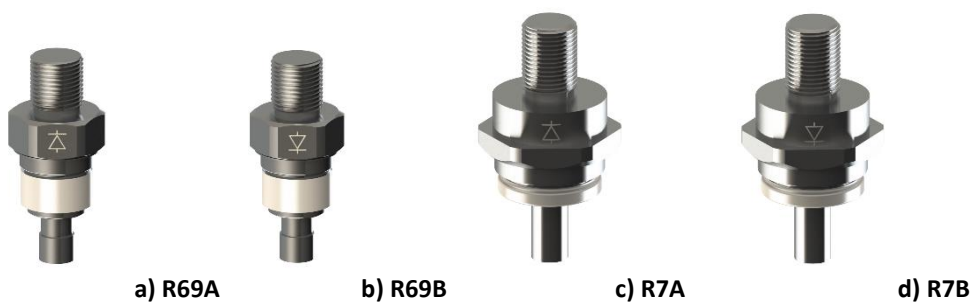
Generated waveform



Dimensions (mm)



Tested types of diodes



Kubara **Lamina** S.A.
05-500 Piaseczno, ul. Puławska 34
Poland
tel.: +48 22 756 76 60,
fax: +48 22 757 07 28,
e-mail: sekretariat@kubaralamina.com
<http://www.kubaralamina.com>