

Qrr Test equipment of a reverse recovery charge in the power thyristors and power diodes

Tester specifications

Type	T.QRR.4000
supply voltage	3x400VAC;
50/60Hz	
phase current consumption	12A max
short time power consumption	3kVA
temperature operating	15°C - 40°C
relative humidity (operating)	10% - 90%
dimensions (LxWxH)	1177x1365x2470
mm	
weight	300kg

Parameters of a test current

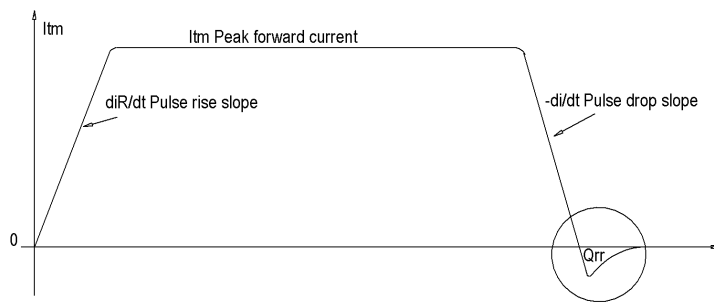
waveform shape	trapezoid
current rise (front of a waveform)	ap. 5-14A/μs
set up current back	100-4000A
set up current pulse duration	100-1000μs
set up current fall rate di/dt (voltage and a coil tap)	5-200A/μs
linearity di/dt	better then 10%
maximum value of a measured reverse current Ir	600A
maximum value of a reverse current measurement time	100μs
gate current of a tested thyristor	500mA
impulse duration	40μs

Measurements and results presentation

Reverse current waveform diagram on the monitor	
Calculated value of a Qrr as an integral of waveform on the monitor	in μC
Calculated value according to the definition 1 (10%)	in μC
Calculated value according to the definition 2 (25%)	in μC
Calculated value according to the definition 3 (50%)	in μC
Measurements trr (tra+trb)	in μs

Equipment tester

- The tester is equipped with a PC and monitor
Can work with another computer, an external database and barcode reader.
- Connection to the press, the ability to communicate with the press via RS-232
- Light Tower operating status tester



Generated waveform

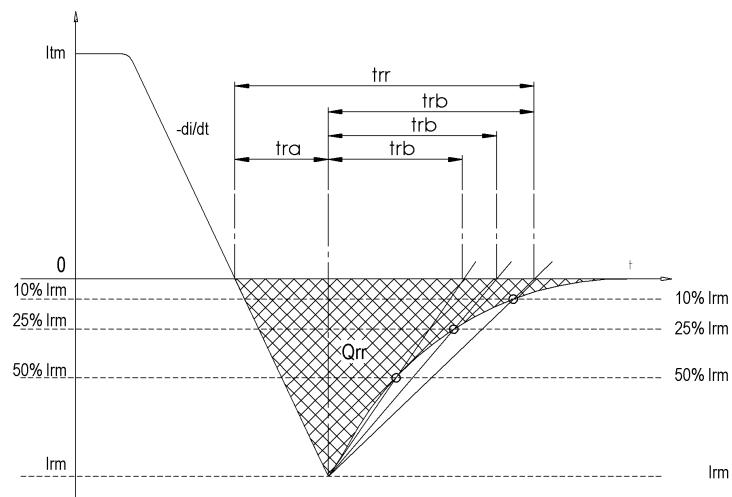
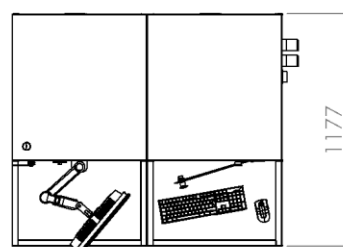
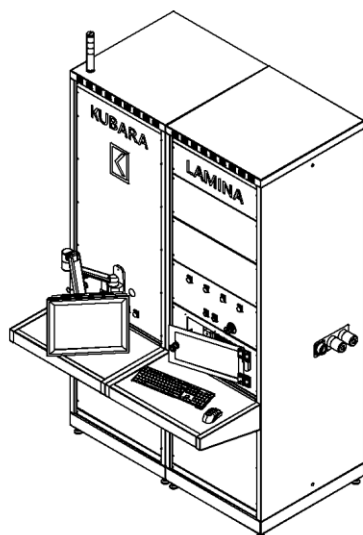
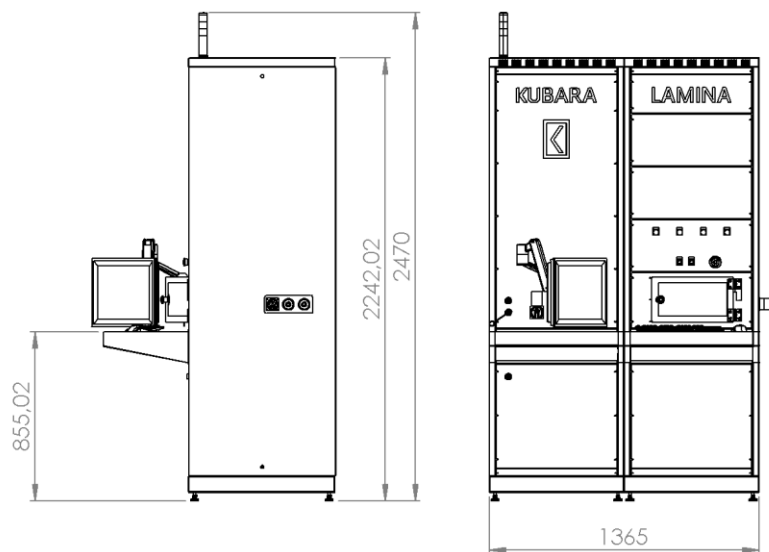


Figure showing measured QRR

KUBARA LAMINA



Dimensions (mm)



Kubara Lamina S.A.
05-500 Piaseczno, ul. Puławska 34
Poland
tel.: +48 22 756 76 60,
fax: +48 22 757 07 28,
e-mail: sekretariat@kubaralamina.com
<http://www.kubaralamina.com>